



Transformadores y fuentes de alimentación

ML-SPS-025 Series

Features:

- Ultra compact size, smaller than a pack of name card.
- Green-mode designing, meet IEA standard < 0.75W (standby state).
- Universal AC input.
- Over load, over voltage & short circuit protection.
- Output voltage $\pm 10\%$ adjustment.
- Built-in EMI filter, low ripple noise.
- 100% 50°C burn-in test.
- UL, cUL, TUV, CB, CE certified.
- 2 years warranty.



25W, Single Output

ML-SPS-240P Series

Features:

- AC input 88V ~ 132V or 175V ~ 264V, select by switch
- P.F.C. function
- Built in EMI filter, low ripple noise
- Over load, over voltage, short circuit protection
- Output voltage $\pm 10\%$ adjustment
- Remote Control ON/OFF (Optional)
- Non min load requirement
- 100% 50°C burn-in test
- Meet UL, cUL, TUV, CB, CE standard
- 1 years warranty



**240W, Single Output.
P.F.C Function**

ML-SPS-320P Series

Features:

- High efficiency, high reliability
- Universal AC input with active power factor correction, P.F.>0.95
- Built in EMI filter, low ripple noise
- Over load, over voltage, short circuit protection
- Over temperature protection (Option)
- Output voltage $\pm 10\%$ adjustment
- Remote Control ON/OFF (Optional)
- Output voltage remote sense
- Cooling fan auto sensing ON/OFF
- Non min load requirement
- 100% 50°C burn-in test
- UL, cUL, TUV, CB, CE certified
- 2 years warranty



**Enclosed Power Supply`.
320W, 1-Output, Active
P.F.C**

ML-SPS-600P Series

Features:

- Built-in in EMI filter, low ripple noise
- Universal AC input with active power factor correction, P.F.>0.95
- Inrush current limit soft start function
- Over load, over voltage and over temperature protection
- Short circuit shutdown and auto recovery
- Output voltage $\pm 10\%$ adjustment
- Power Good Signal
- Cooling FAN auto sensing ON/OFF
- Output voltage remote sense
- Remote Control ON/OFF
- 100% 50°C burn-in test
- Meet EMI EN55022•EMS EN55024•LVD standard
- UL, cUL, TUV, CB, CE approved
- 3 years warranty



**600W, Single Output.
Active P.F.C Function**

ML-SPS-S060 Series (Original model No. is SPS-050 and SPS-060).

Features:

- Light weight, compact size
- Green-mode designing, meet IEA standard<0.75W (standby state)
- Over load, over voltage & short circuit protection
- Output voltage $\pm 10\%$ adjustment
- Built-in EMI filter, low ripple noise
- 100% 50°C burn-in test
- UL, cUL, CB, CE certified; meet TUV standard
- 2 years warranty



60W, Single Output

ML-SPS-S150 Series

Features:

- Power ON with LED indicator
- Built-in EMI filter, low ripple noise
- Over load, over voltage protection
- Short circuit shutdown and Auto recovery
- Output $\pm 10\%$ adjustment
- Non min. load requirement
- 100% 50°C burn-in test
- UL, cUL, CB, CE pending
- 3 years warranty



150W, Single Output

ML-SPS-S100 Series

Features:

- Light weight, compact size
- Universal AC input
- Over load, over voltage & short circuit protection
- Output voltage $\pm 10\%$ adjustment
- Built-in EMI filter, low ripple noise
- 100% 50°C burn-in test
- Meet UL, cUL, CB, CE ,TUV standard
- 2 years warranty

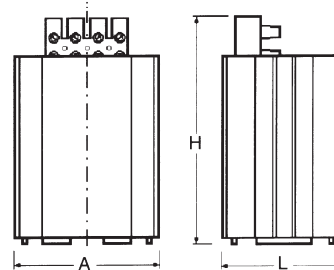


100W, Single Output

Feeding 20W Halogen Lamps | Reduced transformer shape | even able to fit wood furnitures.

Model	Electric Characteristics				Protections				Physical Characteristics				Packaging			
	Primary		Secondary		Class II	Shortcircuit Protection	Thermal Protection	IP	Encloser	Figure	Dimensions				Units per box	Box Weight
	U1	I1	U2	I2							H	A	L	∅		
MD-1020	230 V	0,12 A	11,7 V	1,6 A	YES	NO	NO	IP20	Polyamida	1	80	53	42	58	30	14 Kg.
MDF-1020	230 V	0,12 A	11,7 V	1,6 A	YES	YES	NO	IP20	Polyamida	1	95	53	42	58	30	14 Kg.

Figure 1



Feeding 50W Halogen Lamps, Class II Transformer, supplied with or without protection, to be installed in false ceiling.

Except Model REE, with Ballast Shape, the following transformes has got similar dimensions. Models of Figure n° 2 has got an easy assembling as showed in the Picture below. Models with shortcircuit protection has got a replace fuse or well a thermal cut out of automatic reload.

Model	Electric Characteristics				Protections				Physical Characteristics				Packaging			
	Primary		Secondary		Class II	Shortcircuit Protection	Thermal Protection	IP	Encloser	Figure	Dimensions				Units per box	Box Weight
	U1	I1	U2	I2							H	A	L	∅		
RINMA	230 V	0,28 A	11,3 V	4,12 A	YES	NO	NO	IP20	Polyamida	2	91	55	56	60	20	15 Kg.
MDR-1050	230 V	0,28 A	11,5 V	4,15 A	YES	NO	NO	IP20	Polyamida	2	91	55	56	60	20	15 Kg.
MDRF-1050	230 V	0,28 A	11,5 V	4,15 A	YES	YES	NO	IP20	Polyamida	3	116	54	52	65	20	15 Kg.
MDRS-1050	230 V	0,28 A	11,5 V	4,15 A	YES	YES	YES	IP20	Polyamida	3	116	54	52	65	20	15 Kg.
MDRE-1050	230 V	0,29 A	11,8 V	4,18 A	YES	NO	NO	IP20	Polyamida	3	116	54	52	65	20	15 Kg.
MDREF-1050	230 V	0,29 A	11,8 V	4,18 A	YES	YES	NO	IP20	Polyamida	3	116	54	52	65	20	15 Kg.
MDRES-1050	230 V	0,29 A	11,8 V	4,18 A	YES	YES	YES	IP20	Polyamida	3	116	54	52	65	20	15 Kg.
REE-3050	230 V	0,31 A	11,5 V	4,08 A	YES	NO	NO	IP20	Polyamida	4	47	137	47	60	25	20 Kg.
REEF-3050	230 V	0,31 A	11,5 V	4,08 A	YES	YES	NO	IP20	Polyamida	4	47	137	47	60	25	20 Kg.
REES-3050	230 V	0,31 A	11,5 V	4,08 A	YES	YES	YES	IP20	Polyamida	4	47	137	47	60	25	20 Kg.

Figure 2

Assembling

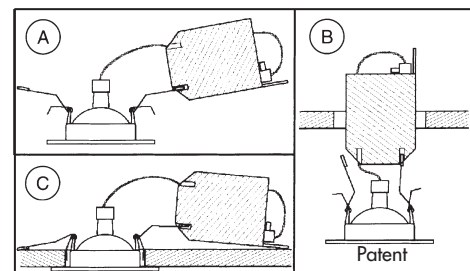
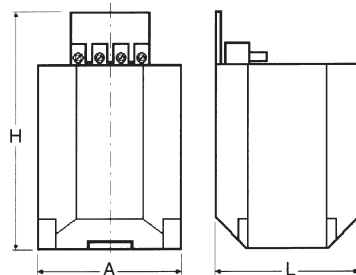
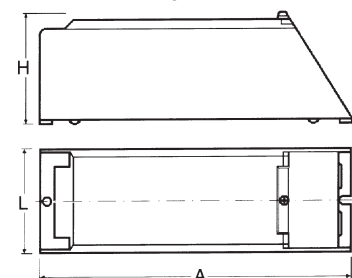
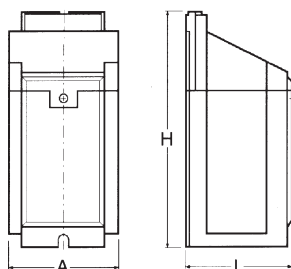


Figure 3

Figure 4



75W Transformers for Halogen Lamps | 75W 230V / 12V | According to: EN 60742 |



Feeding 75W Halogen Lamps, supplied with our without protection. Class II.
Models with shortcircuit protection has got a replace fuse or well an thermal cut out of automatic reload.

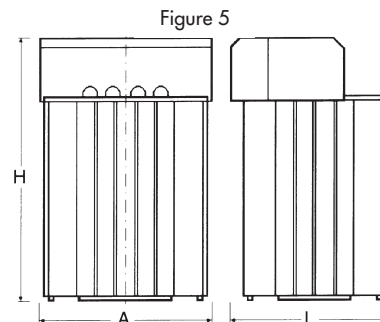
Model	Electric Characteristics				Protections				Phisical Characteristics				Packaging			
	Primary		Secondary		Class II	Shortcircuit Protection	Thermal Protection	IP	Enclouser	Figure	Dimensions				Units per box	Box Weight
	U1	I1	U2	I2							H	A	L	∅		
MD-1075	230 V	0,39 A	11,8 V	5,9 A	YES	NO	NO	IP20	Polyamida	5	115	75	65	81	10/12	16 Kg.
MDF-1075	230 V	0,39 A	11,8 V	5,9 A	YES	YES	NO	IP20	Polyamida	5	115	75	65	81	10/12	16 Kg.
MFS-1075	230 V	0,39 A	11,8 V	5,9 A	YES	YES	YES	IP20	Polyamida	5	115	75	65	81	10/12	16 Kg.

105W Transformers for Halogen Lamps | 105W 230V / 12V | According to: EN 60742 |



Feeding 105W Halogen Lamps, supplied with our without protection.
Models with shortcircuit protection has got a replace fuse or well an thermal cut out of automatic reload.

Model	Electric Characteristics				Protections				Phisical Characteristics				Packaging			
	Primary		Secondary		Class II	Shortcircuit Protection	Thermal Protection	IP	Enclouser	Figure	Dimensions				Units per box	Box Weight
	U1	I1	U2	I2							H	A	L	∅		
MD-1105	230 V	0,49 A	11,8 V	8,1 A	YES	NO	NO	IP20	Polyamida	5	115	75	80	90	8/10	16 Kg.
MDF-1105	230 V	0,49 A	11,8 V	8,1 A	YES	YES	NO	IP20	Polyamida	5	115	75	80	90	8/10	16 Kg.
MFS-1105	230 V	0,49 A	11,8 V	8,1 A	YES	YES	YES	IP20	Polyamida	5	115	75	80	90	8/10	16 Kg.

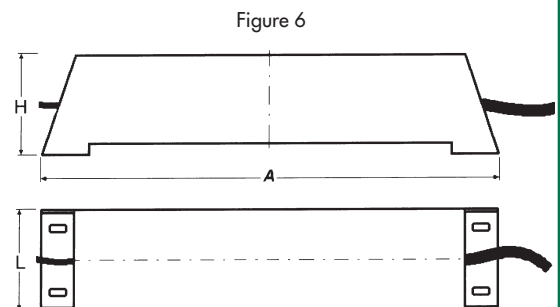


200W, 300W & 400W Atenas serie | 230V / 12V; 24V; 26V | According to: EN 60742 |



Feeding 200W, 300W and 400W Halogen Lamps to 12V, 24V and 26V, Class II.
Long shape, outputs with bipolar silicon cables 50 cm. lenght, transformes for outdoor purposes.
All models has got thermal protection (Bimetalic thermic protections of automatic reload)
In the following table are showed the electric characteristics according to the 12V output.
It is recomended to use cut downs type D (Engines)

ATENAS Serie	Electric Characteristics				Protections				Phisical Characteristics				Packaging				
	Power	Primary		Secondary		Class II	Shortcircuit Protection	Thermal Protection	IP	Enclouser	Figure	Dimensions				Units per box	Box Weight
Model	U1	I1	U2	I2	H							A	L	∅			
5200	200 VA	230 V	1,25 A	11,7 V	16,5 A	YES	NO	YES	IP67	Metalic	6	64	233	65	92	2	8 Kg.
5300	300 VA	230 V	1,55 A	11,8 V	24,8 A	YES	NO	YES	IP67	Metalic	6	64	293	65	92	2	11 Kg.
5400	400 VA	230 V	2,00 A	11,8 V	32,5 A	YES	NO	YES	IP67	Metalic	6	64	343	65	92	2	13 Kg.



Feeding 150W to 500W Halogen Lamps to 12V, 24V and 26V. Class II.
 In the following table are showed the electric characteristics according to the 12V output.
Protections against shorcircuits: replace fuse. Temperature / Heating: Thermic bimetalic protectors of automatic reload.
It is recomended to use cut downs tye D (engines).

VIENA Serie	Electric Characteristics					Protections				Phisical Characteristics					Packaging			
	Model	Power	Primary		Secondary		Class II	Shortcircuit Protection	Thermal Protection	IP	Enclouser	Figure	Dimensions				Units per box	Box Weight
			U1	I1	U2	I2							H	A	L	ø		
2150	150 VA	230 V	0,74 A	12 V	12,4 A	YES	YES	YES	IP65*	Polyamida	7	162	125	95	146	4	11 Kg.	
2200	200 VA	230 V	1 A	11,8 V	16,7 A	YES	YES	YES	IP65*	Polyamida	7	162	125	95	146	4	13 Kg.	
2250	250 VA	230 V	1,24 A	11,8 V	20,8 A	YES	YES	YES	IP65*	Polyamida	7	182	125	95	146	4	15 Kg.	
2300	300 VA	230 V	1,4 A	11,7 V	24,7 A	YES	YES	YES	IP65*	Polyamida	7	182	125	95	146	4	16 Kg.	
2350	350 VA	230 V	1,7 A	11,7 V	29 A	YES	YES	YES	IP65*	Polyamida	7	207	138	105	162	2	11 Kg.	
2400	400 VA	230 V	1,9 A	11,6 V	32,6 A	YES	YES	YES	IP65*	Polyamida	7	207	138	105	162	2	11 Kg.	
2500	500 VA	230 V	2,26 A	11,7 V	40 A	YES	YES	YES	IP65*	Polyamida	7	207	138	105	162	2	14 Kg.	

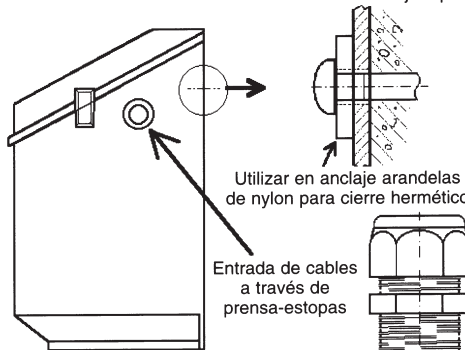
Feeding 150W to 500W Halogen Lamps to 12V, 24V and 26V. Class II.
 In the following table are showed the electric characteristics according to the 12v output.
This serie is identical to the Viena One, although without protectors.
It is recomended to use cut downs tye D (engines).

ROMA Serie	Electric Characteristics					Protections				Phisical Characteristics					Packaging			
	Model	Power	Primary		Secondary		Class II	Shortcircuit Protection	Thermal Protection	IP	Enclouser	Figure	Dimensions				Units per box	Box Weight
			U1	I1	U2	I2							H	A	L	ø		
4150	150 VA	230 V	0,74 A	12 V	12,4 A	YES	NO	NO	IP65*	Polyamida	7	162	125	9	146	4	11 Kg.	
4200	200 VA	230 V	1	11,8 V	16,7 A	YES	NO	NO	IP65*	Polyamida	7	162	125	9	146	4	13 Kg.	
4250	250 VA	230 V	1,24 A	11,8 V	20,8 A	YES	NO	NO	IP65*	Polyamida	7	182	125	9	146	4	15 Kg.	
4300	300 VA	230 V	1,4	11,7 V	24,7 A	YES	NO	NO	IP65*	Polyamida	7	182	125	9	146	4	16 Kg.	
4350	350 VA	230 V	1,7	11,7 V	29 A	YES	NO	NO	IP65*	Polyamida	7	207	138	105	162	2	11 Kg.	
4400	400 VA	230 V	1,9	11,6 V	32,6 A	YES	NO	NO	IP65*	Polyamida	7	207	138	105	162	2	11 Kg.	
4500	500 VA	230 V	2,26 A	11,7 V	40 A	YES	NO	NO	IP65*	Polyamida	7	207	138	105	162	2	14 Kg.	

* Para IP65 debe montarse según figura siguiente:

COLOCACIÓN A LA INTEMPERIE
OUTDOOR ASSEMBLING

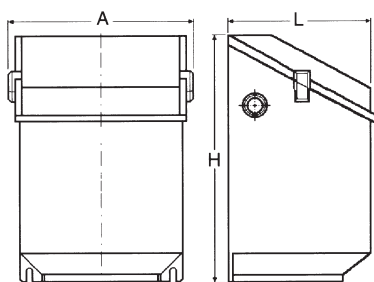
Detalle de anclaje a pared:



Opcionalmente podemos suministrar juego IP65 compuesto por 2 prensa-estopas completos, 2 tornillos de anclaje y 2 arandelas con junta.



Figure 7



600W to 700W | MTLE FT serie | 230V / 12 V; 24V; 26V; | According to: EN 60742 |



Feeding 600W to 700W Halogen Lamps to 12V, 24V and 26V. Class II.

In the following table are showed the electric characteristics according to the 12V output.

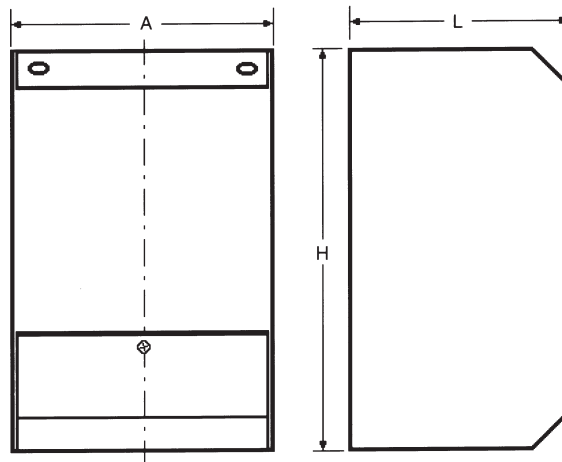
Protections against shortcircuits: replace fuse. Temperature / Heating: Thermic bimetallic protectors of automatic reload.

It is recommended to use cut downs type D (engines).

MTLE FT Serie	Electric Characteristics					Protections				Phisical Characteristics			Packaging			
	Power	Primary		Secondary		Class II	Shortcircuit Protection	Thermal Protection	IP	Enclouser	Figure	Dimensions			Units per box	Box Weight
U1		I1	U2	I2	H							A	L			
2600	600 VA	230 V	2,87 A	12 V	50 A	YES	YES	YES	IP62	Metalic	8	210	135	113	2	14 Kg.
2700	700 VA	230 V	3,26 A	12 V	57,8 A	YES	YES	YES	IP62	Metalic	8	210	135	113	2	15 Kg.



Figure 8



400W for Swimming Pools (Long Distances) | VIENA PFT 3400 | According to: EN 60742 |



Feeding 400W Halogen Lamps, 12V to distances between 0 and 45 meters.

Adjustment by Primary: Depending on distance apply the primary feeding between the Connectors or Terminals A, B or C and 1 or 2.

Due its multiple regulations, the load is feeded with around voltajes to 12V for the indicated distances.

Protectors: against Shortcircuit: Replace Fuse. Temperature / Heating Bimetallic thermic cut out of automatic reload.

Electric Shocks: Electromagnetic Screen -Shade between primary to secondary connected to earth.

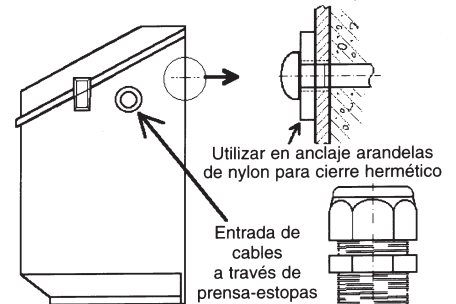
It is recommended to use cut downs type D (Engines).

VIENA PFT 3400 Regulation	Electric Characteristics						Protections			Phisical Characteristics				
	Distance	Bornes	Primary		Secondary		Shortcircuit Protection	Thermal Protection	IP	Enclouser	Figure	Dimensions		
U1			I1	U2	I2	Cable						H	A	L
from 0 to 3 meters	A-2	230 V	1,44 A	12 V	25 A	6 mm ² .	YES	YES	IP65*	Polyamida	9	207	138	105
from 3 to 7 meters	B-2	230 V	1,53 A	12,7 V	24,9 A	6 mm ² .								
from 7 to 11 meters	C-2	230 V	1,63 A	13,4 V	25 A	6 mm ² .								
from 11 to 17 meters	A-1	230 V	1,69 A	14 V	24,8 A	6 mm ² .								
from 17 to 23 meters	B-1	230 V	1,83 A	15 V	24,9 A	6 mm ² .								
from 23 to 29 meters	C-1	230 V	1,97 A	16 V	25 A	6 mm ² .								
from 29 to 38 meters	B-1	230 V	1,83 A	15 V	24,9 A	10 mm ² .								
from 38 to 45 meters	C-1	230 V	1,97 A	16 V	25 A	10 mm ² .								

Packaging	
Units per box	Box Weight
2	11 Kg.

COLOCACIÓN A LA INTEMPERIE OUTDOOR ASSEMBLING

Detalle de anclaje a pared:



Opcionalmente podemos suministrar juego IP65 compuesto por 2 prensa-estopas completos, 2 tornillos de anclaje y 2 arandelas con junta.

Figure 9

