

ML-SR-20VL



Up lighted Road Stud

KEY FEATURES

- Road stud specially developed to illuminate historic areas and pedestrian zones
- Ideal for zones where it's necessary to project vertical lighting
- Rising from road surface of 15mm
- High brightness during day and night
- Possibility of connection of **N** elements
- Wired system that can be powered by electric or solar energy
- Low power consumption
- Internal prismatic system
- Up to 1Km visibility distance due to high intensity led's
- Many led's color options for all kind of applications

MODES OF OPERATION

Always On

*Other modes of operation like flashing or sequential are available with external controller

LED'S CONFIGURATION

- Up light
- Up light + 1 side illuminated
- Up light + 2 sides illuminated

ELECTRICAL FEATURES

| | |
|---------------------|---|
| Power Supply | 12 V DC or 24V DC |
| Current Consumption | Up Light: 160 mA Unidirectional: 20mA Bidirectional: 40mA |
| Power Cable | Brown Wire (+) Blue Wire (-) |
| Working Temperature | -25 °C to +85°C |

OPTICAL FEATURES

- Led Quantity**
16 Led's
(Up to 4 optional led's may be added to the sides)
- Led Type**
5mm
- Led Colors**
White, Warm White, Red, Amber, Green, Blue
- Viewing Angle**
15°

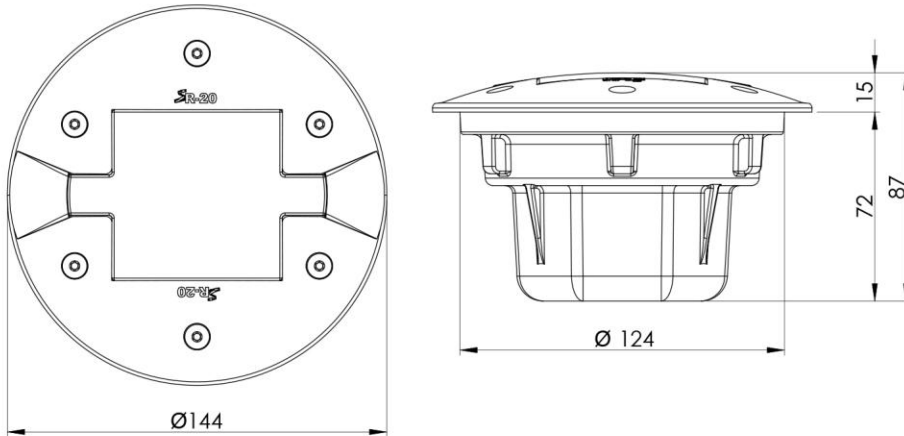
MECHANICAL FEATURES

- Material**
Aluminum and Polycarbonate
- Mechanical Resistance**
20 Tons
- Weight**
1 Kg
- Protection Index**
IP68, IK10
- Dimensions**
Ø144 x 87 mm

ML-SR-20VL



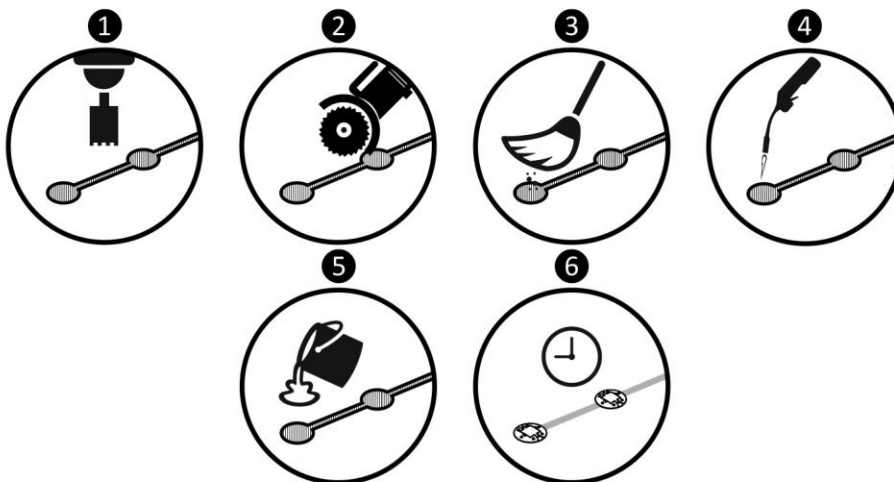
DIMENSIONS (mm)



INSTALLATION PROCEDURE



To do the installation Personal Protective Equipment must be worn during all process.



❶ After deciding the location where the stud will be installed, drill a hole having a minimum diameter of 130 mm and 80 mm deep.

❷ Using a disk cutter, open a connection between the holes with 15mm width and 60mm depth.

❸ Brush any debris or dust from the hole resulting from drilling.

❹ Dry the hole with a blowtorch to remove any moisture that may compromise the adhesion and effectiveness of the glue.

❺ Pour ±2Kg of glue **Sikadur 42 SP** in the hole and insert the stud checking that the led's are facing the right way. Remove any excess remaining of glue.

❻ The glue drying time may change depending on weather conditions. Consult the glue data sheet for more information.

Changing or not fulfillment of the described installation process can result in suspension of warranty.