

ML SR-45C-IPW

Inductive Road Stud

SR-45C-IPW is an Inductive Road Stud that makes the installation easier through the Plug & Light concept. This non-wired connection between the top part and base, allows a faster maintenance, reducing the costs associated with it. All road studs can be connected to an external controller to allow several control features. It is a cost effective solution that meet the most demanding applications on road safety.

-  System Inductive
-  Rising from Road Surface up to 8,6 mm
-  LED's Configuration Unidirectional
-  Mechanical Resistance up to 120 Tons
-  LED's Type 5mm
-  Protection Index IP68,IK10
-  LED's Color 
-  Material Stainless-Steel Top and Polycarbonate
-  Modes of Operation Steady
-  Applications Heavy traffic zones, Snow areas
-  Certifications 



No physical wire connection between bottom part and light module

Bidirectional communication enables dimming, other modes of operation and network diagnose.

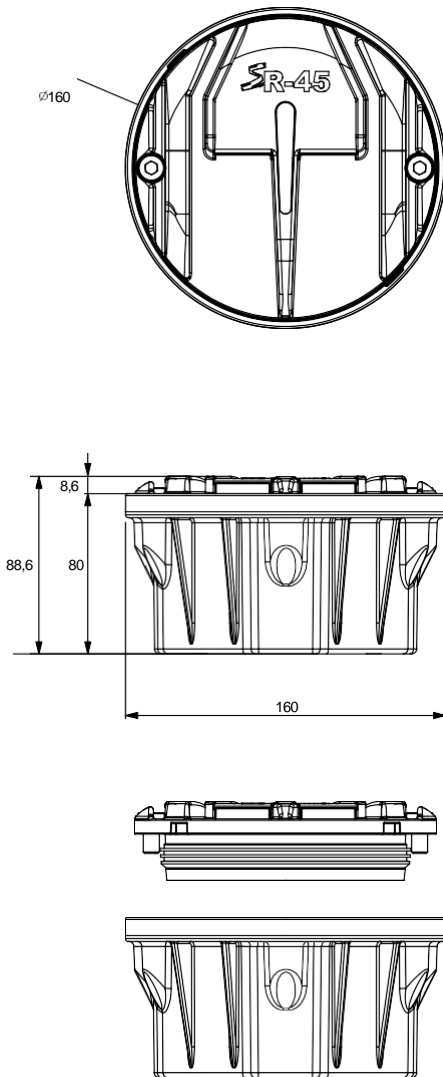
Robust construction, suitable for harsh conditions

High mechanical resistance: **up to 120 Tons**, suitable for regular traffic areas of heavy vehicles

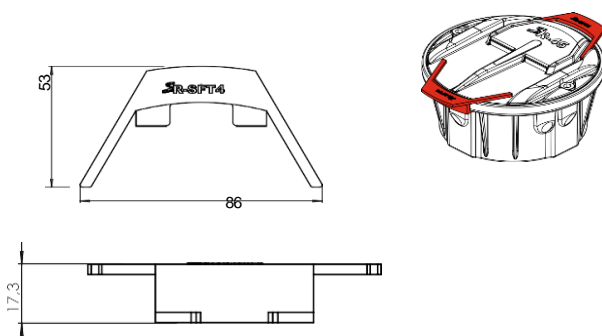
Ready for snow plough machines. IP68 IK10

Rising from surface up to **8,6 mm. Up to 1Km visibility.**

Technical Features



Installation Accessory – ML-SR-SFT4



Modes of Operation

Steady

Bidirectional communication with external controller enables dimming, other operation modes like flashing or sequential and network diagnose.

LED's Configuration

Unidirectional

Electrical Features

Power Supply : 24V DC

Consumption Unidirectional: 1,9W

Communication: Bidirectional IR 38KHz

Cable: 4 x 1,5mm

Operation Temperature: -25°C to +85°C

Optical Features

LED's Quantity: 8 LEDs

LED's Type: 5mm

LED's Colors: White, Red, Amber, Green, Blue

LED's Viewing Angle: 15°

LED's Life Span : 100 000h (manufacture specification)

Mechanical Features

Top Material: Hard stainless steel league with good corrosion resistance and polycarbonate window certified to UL 94 V0

Bottom Material: Aluminum

Weight: 3 Kg

Rising from Surface: 8,6 mm

Mechanical Resistance: up to 120 Tons

Dimensions: Ø160 x 88,6 mm

Protection Index: IP68 / Ik10