

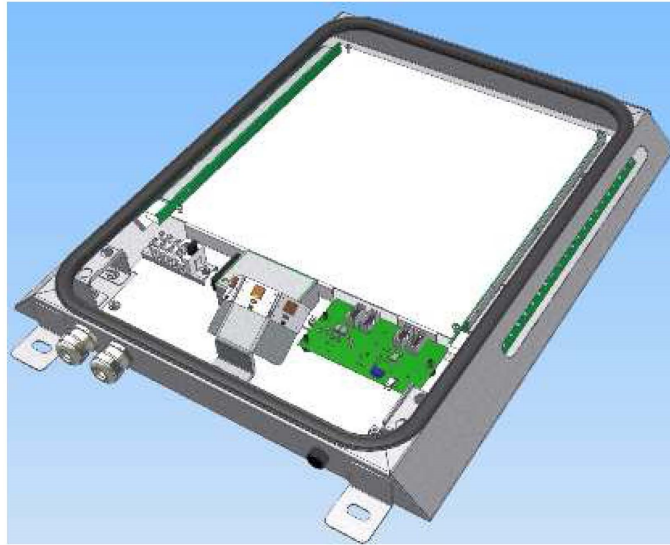


**Tunnel Evacuation Sign**

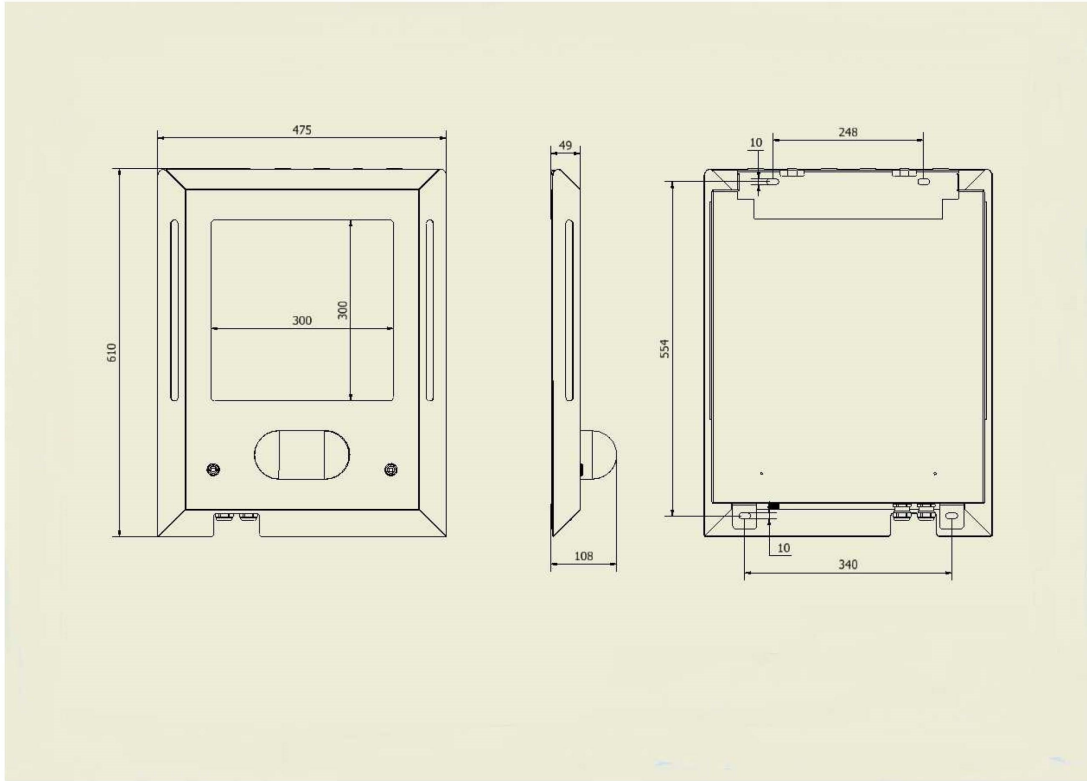
### Specifications

Luminaire for orientation lighting and escape route marking (illumination by LED modules) by lateral LED strips for use in road tunnels. Specifically designed according to the RABT 2006 guidelines for tunnel wall mounting. Flat housing with beveled side faces to avoid injury to persons trying to escape. The integrated CPU can check and visually report any LED failures that might occur.

<b>Screen specifications</b>	Technology	L.E.D. Backlight
	Screen type	Tunnel Exit and fire emergency Sign
	Sides	1
	Symbol size	300 x 300 mm (H X L), DIN 4844
	Enclosure dimensions	610 x 467 x 48 mm
	Pictogram Area	Backlight: Edge illuminated light guide-diffuser. Light Engine: White Nichia LED boards (PCB's) with proper interconnection for easy maintenance Average Brightness: >200 cd/sqm, including pictogram brightness drop.
	Escape Guidance Indicators	Green LED light strips >75 cd/sqm dimmable
	Emergency Fire Light	>25 cd from -87 to +87 degrees
	Maximum viewing distance	180 m



<b>Mechanical</b>	Sign case material	Stainless steel casing, 1,5 mm thickness, with front cover coating , color 7042 traffic grey.
	Access method	Front access.
	Frontage material	Heat Tempered Glass
	Weather protection	IP65
	Protection class	1
	Mounting	Wall Mounting.
	Weight	10 Kgr
<b>Electrical</b>	Power consumption	13 Watt
	Power supply	230VAC / 50Hz, 48V DC(Optional)
	Cable Entrance	Cable Glands (2)- Option: At the Bottom or back of TEFES
<b>Operating conditions</b>	Temperature	-20°C up to +50°
	Humidity	Up to 95%
<b>Certifications</b>	CE Mark BAST Approved RABT 2006 Compliant ISO 9001:2015	



### Installation

(1) Access By unlocking and lifting the cover

(2) Simple Wall mounting

(3) Power and command connection

(4) Select Operation mode and dimming level by the dip switches.

Dip switch 4: Green Level ON=100% OFF=50%

Dip switch 3: Green Level ON=100% OFF=75%

Dip switch 2, 1: Mode OFF- OFF Orientation Light Led **ON** by Active 230V  
 OFF - ON Orientation Light **BLINK** by Active 230V  
 ON - OFF Orientation Light **ON** by Absence of 230V  
 ON - ON Orientation Light **BLINK** by Absence of 230V

