

LED High Bay IP67 -4000K Dim 110D

Authorized Licensee for TOSHIBA trademark



1. Specification:

A. General Data

Model	High Bay 4000K Dim 110D-200W	High Bay 4000K Dim 110D-150W	High Bay 4000K Dim 110D-100W
Product Code	00801760026A	00801760027A	00801760224A
P/N	MPS-HC406200-1T0	MPS-HC406150-1T0	MPS-HC406100-1T0
Rated Voltage	100-277 VAC		
Frequency	50~60 Hz		
Rated Wattage	200 W	150 W	100 W
Deviation Tolerance of Rated Wattage	±10 %		
Power Factor (Input 230V, 50Hz)	0.9(typical)		
Start On	<0.5S		
Dimmable	YES		
Beam Angle	110°		
UGR	N/A		
EEL	0.15	0.15	0.15
Energy Class	A+	A+	A+
Safety requirements	CE		
Applicable Environments	IP67 / IK08		
Exchangeable LED Module	NO		

B. Light Data

Color	Neutral White		
Color Temperature (CCT)	4000K		
Rated Lumen Output*	18600 lm	14000 lm	9300 lm
Color Rendering Index*	80		
Efficacy*	93 lm/W	93 lm/W	93 lm/W
Color Consistency**	6 Step MacAdam Ellipse (6 SDCM)		

* tolerance +/- 10% ** center point (0.380, 0.377)

C. Lifetime

(Supplied Voltage: AC230V; Ambient Temperature: 15°C~40°C)

Lumen Maintenance Factor	70% of the rated lifetime
Rated Lifetime – L₇₀B₅₀	50,000 hrs
Switching Cycles	≥ 25,000

D. Temperature Operation

Normal operation temperature	-10°C ~ 50°C
Relative Humidity	10% ~ 90%

E. Geometric Data

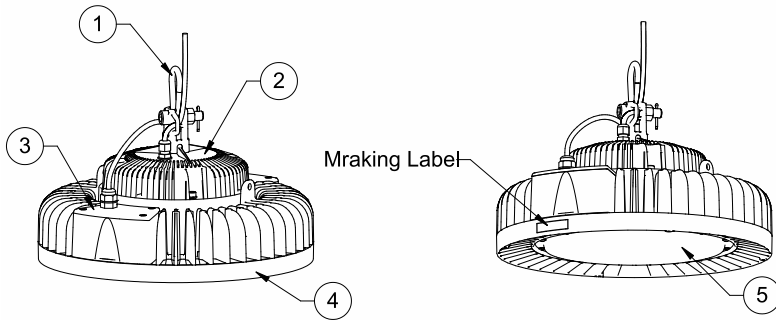
Maximum length	358.0 ± 5 mm	358.0 ± 5 mm	358.0 ± 5 mm
Maximum width	254.0 ± 4 mm	247.0 ± 4 mm	246.2 ± 4 mm
Mass	7400 g	6600 g	6300 g

F. Environmental relevant materials

Mercury (Hg)	Comply with RoHS Directive 2011/65/EU
Lead (Pb)	
Cadmium(Cd)	
Hexavalent Chromium(Cr6+)	
Polybrominated Biphenyls(PBBs)	
Polybrominated Diphenyl Ethers(PBDEs)	

2. Outline Drawing

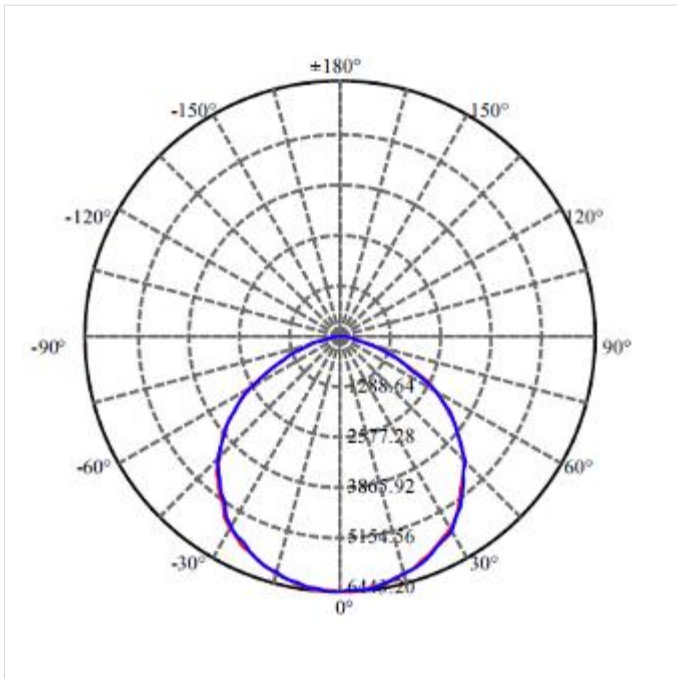
Unit : mm



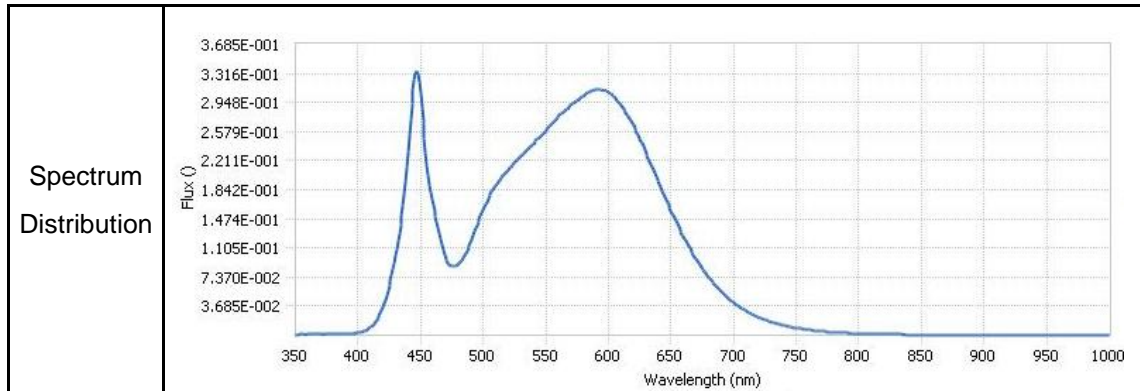
Material Information

1. Hook:	Stainless
2. Driver case:	Aluminum
3. Cover:	Plastic
4. Heat sink:	Aluminum
5. Lens:	Plastic

3. Light Distribution Curve



4. Spectrum Distribution



5. Warnings

Before replacing, turn off power and let lamp cool to avoid electrical shock or burn.

6. Cautions

Only to apply in dry or damp locations and most of open fixtures with lamp-holders that offer sufficient space (10 mm free air space). Not intended for use with emergency light fixtures or exit lights.

7. Notes

All characteristics are estimated at room temperature (25°C), free air burning, base up burning position and at rated voltage. In view of the complex manufacturing process for light above for the technical LED parameters are merely statistical values that do not necessarily correspond to the actual technic individual products may vary from the typical values.

8. Logistic information

Model	High Bay 4000K Dim 110D-200W	High Bay 4000K Dim 110D-150W	High Bay 4000K Dim 110D-100W
P/N	MPS-HC406200-1T0	MPS-HC406150-1T0	MPS-HC406100-1T0
Product Code	00801760026A	00801760027A	00801760224A
Pieces per pack	N/A		
EAN code on pack	N/A		
Size of pack	N/A		
Weight per pack (G.W)	N/A		
Packs per inner box	N/A		

EAN code on inner box	N/A		
ITF code on inner box	N/A		
Size of inner box	N/A		
Weight per inner box(G.W)	N/A		
Packs per outer box	1		
EAN code on outer box	4712947600262	4712947600279	4712947602242
ITF code on outer box	04712947600262	04712947600279	04712947602242
Size of outer box	480x480x300 mm		
Weight per outer box(G.W)	10.1 kg	9.3 kg	9.0 kg

9. Conformity

2006/95/EC; Low Voltage Directive	EN 62031(LED module) 、 EN 60598-1 & EN 60598-2-1(Luminaires) 、 EN 61347-2-13(LED driver) 、 EN 62471 、 EN 62493(EMF)
2004/108/EC; EMC Directive	EN 55015 、 EN 61000-3-2 、 EN 61000-3-3 EN 61547 (Including IEC 61000-4-X series)
2009/125/EC; ErP Directive	EU No. 1194 、 EU No. 874
2011/65/EU; RoHS Directive	EN 50581 、 EN 62321

10. Business Scheme (Countries)

A. Applicable countries

France, Italy, Belgium, Spain, Morocco, Portugal, Netherlands, Luxembourg, Germany, Turkey, Greece, Austria, Switzerland, Bulgaria, Poland, Hungary, Israel, Sweden, Norway, Ireland, England

Note : The requirement of each country will be reflected to the product specifications, when the products will be shipped to such country.

B. Manufacture

Unity Opto Technology Co., Ltd.

C. Sales channel

B2B flow and B2C

LED High Bay IP67 -4000K Dim 60D

Authorized Licensee for TOSHIBA trademark



1. Specification:

A. General Data

Model	High Bay 4000K Dim 60D-200W	High Bay 4000K Dim 60D-150W	High Bay 4000K Dim 60D-100W
Product Code	00801760776A	00801760777A	00801760778A
P/N	MPS-HC406200-3T0	MPS-HC406150-3T0	MPS-HC406100-3T0
Rated Voltage	100-277 VAC		
Frequency	50~60 Hz		
Rated Wattage	200 W	150 W	100 W
Deviation Tolerance of Rated Wattage	±10 %		
Power Factor (Input 230V, 50Hz)	0.9(typical)		
Start On	<0.5S		
Dimmable	YES		
Beam Angle	60°		
UGR	N/A		
EEL	0.15	0.15	0.15
Energy Class	A+	A+	A+
Safety requirements	CE		
Applicable Environments	IP67 / IK08		
Exchangeable LED Module	NO		

B. Light Data

Color	Neutral White		
Color Temperature (CCT)	4000K		
Rated Lumen Output*	18600 lm	14000 lm	9300 lm
Color Rendering Index*	80		
Efficacy*	93 lm/W	93 lm/W	93 lm/W
Color Consistency**	6 Step MacAdam Ellipse (6 SDCM)		

* tolerance +/- 10% ** center point (0.380, 0.377)

C. Lifetime

(Supplied Voltage: AC230V; Ambient Temperature: 15°C~40°C)

Lumen Maintenance Factor	70% of the rated lifetime
Rated Lifetime – L₇₀B₅₀	50,000 hrs
Switching Cycles	≥ 25,000

D. Temperature Operation

Normal operation temperature	-10°C ~ 50°C
Relative Humidity	10% ~ 90%

E. Geometric Data

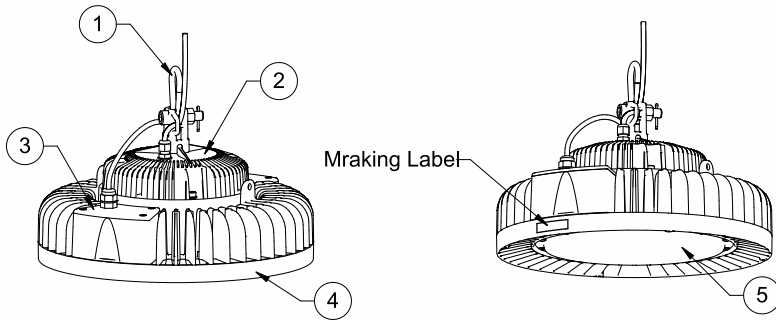
Maximum length	358.0 ± 5 mm	358.0 ± 5 mm	358.0 ± 5 mm
Maximum width	254.0 ± 4 mm	247.0 ± 4 mm	246.2 ± 4 mm
Mass	7400 g	6600 g	6300 g

F. Environmental relevant materials

Mercury (Hg)	Comply with RoHS Directive 2011/65/EU
Lead (Pb)	
Cadmium(Cd)	
Hexavalent Chromium(Cr6+)	
Polybrominated Biphenyls(PBBs)	
Polybrominated Diphenyl Ethers(PBDEs)	

2. Outline Drawing

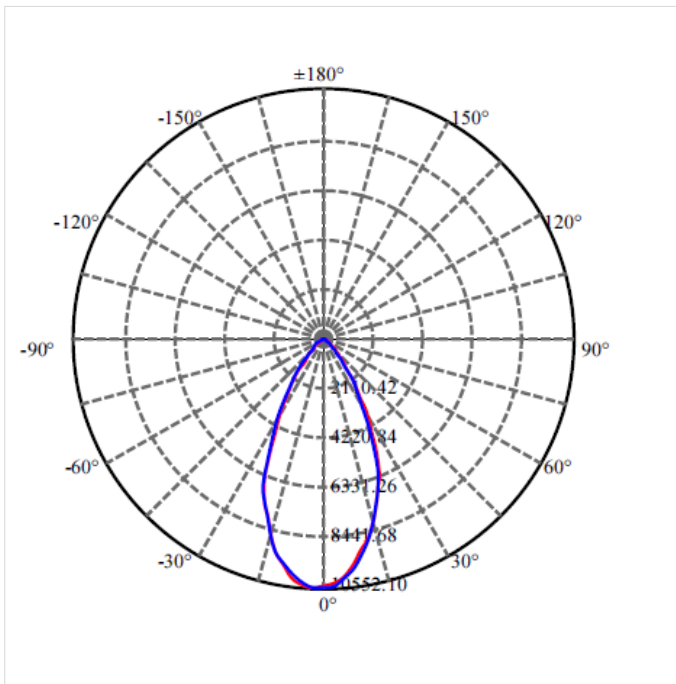
Unit : mm



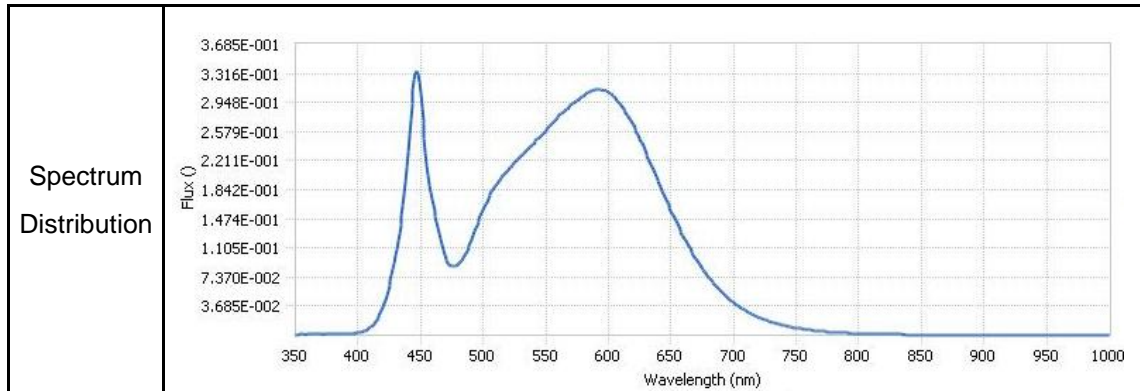
Material Information

- | | |
|-----------------|-----------|
| 1. Hook: | Stainless |
| 2. Driver case: | Aluminum |
| 3. Cover: | Plastic |
| 4. Heat sink: | Aluminum |
| 5. Lens: | Plastic |

3. Light Distribution Curve



4. Spectrum Distribution



5. Warnings

Before replacing, turn off power and let lamp cool to avoid electrical shock or burn.

6. Cautions

Only to apply in dry or damp locations and most of open fixtures with lamp-holders that offer sufficient space (10 mm free air space). Not intended for use with emergency light fixtures or exit lights.

7. Notes

All characteristics are estimated at room temperature (25°C), free air burning, base up burning position and at rated voltage. In view of the complex manufacturing process for light above for the technical LED parameters are merely statistical values that do not necessarily correspond to the actual technic individual products may vary from the typical values.

8. Logistic information

Model	High Bay 4000K Dim 60D-200W	High Bay 4000K Dim 60D-150W	High Bay 4000K Dim 60D-100W
P/N	MPS-HC406200-3T0	MPS-HC406150-3T0	MPS-HC406100-3T0
Product Code	00801760776A	00801760777A	00801760778A
Pieces per pack	N/A		
EAN code on pack	N/A		
Size of pack	N/A		
Weight per pack (G.W)	N/A		
Packs per inner box	N/A		

EAN code on inner box	N/A		
ITF code on inner box	N/A		
Size of inner box	N/A		
Weight per inner box(G.W)	N/A		
Packs per outer box	1		
EAN code on outer box	4712947607766	4712947607773	4712947607780
ITF code on outer box	04712947607766	04712947607773	04712947607780
Size of outer box	480x480x300 mm		
Weight per outer box(G.W)	10.1 kg	9.3 kg	9.0 kg

9. Conformity

2006/95/EC; Low Voltage Directive	EN 62031(LED module) 、 EN 60598-1 & EN 60598-2-1(Luminaires) 、 EN 61347-2-13(LED driver) 、 EN 62471 、 EN 62493(EMF)
2004/108/EC; EMC Directive	EN 55015 、 EN 61000-3-2 、 EN 61000-3-3 EN 61547 (Including IEC 61000-4-X series)
2009/125/EC; ErP Directive	EU No. 1194 、 EU No. 874
2011/65/EU; RoHS Directive	EN 50581 、 EN 62321

10. Business Scheme (Countries)

A. Applicable countries

France, Italy, Belgium, Spain, Morocco, Portugal, Netherlands, Luxembourg, Germany, Turkey, Greece, Austria, Switzerland, Bulgaria, Poland, Hungary, Israel, Sweden, Norway, Ireland, England

Note : The requirement of each country will be reflected to the product specifications, when the products will be shipped to such country.

B. Manufacture

Unity Opto Technology Co., Ltd.

C. Sales channel

B2B flow and B2C

LED High Bay IP67 -5000K Dim 110D

Authorized Licensee for TOSHIBA trademark



1. Specification:

A. General Data

Model	High Bay 5000K Dim 110D-200W	High Bay 5000K Dim 110D-150W	High Bay 5000K Dim 110D-100W
Product Code	00801760825A	00801760829A	00801760833A
P/N	MPS-HC506200-1T0	MPS-HC506150-1T0	MPS-HC506100-1T0
Rated Voltage	100-277 VAC		
Frequency	50~60 Hz		
Rated Wattage	200 W	150 W	100 W
Deviation Tolerance of Rated Wattage	±10 %		
Power Factor (Input 230V, 50Hz)	0.9(typical)		
Start On	<0.5S		
Dimmable	YES		
Beam Angle	110°		
UGR	N/A		
EEL	0.15	0.15	0.15
Energy Class	A+	A+	A+
Safety requirements	CE		
Applicable Environments	IP67 / IK08		
Exchangeable LED Module	NO		

B. Light Data

Color	Cool White		
Color Temperature (CCT)	5000K		
Rated Lumen Output*	20000 lm	15000 lm	10000 lm
Color Rendering Index*	80		
Efficacy*	100 lm/W	100 lm/W	100 lm/W
Color Consistency**	6 Step MacAdam Ellipse (6 SDCM)		

* tolerance +/- 10% ** center point (0.34464, 0.35506)

C. Lifetime

(Supplied Voltage: AC230V; Ambient Temperature: 15°C~40°C)

Lumen Maintenance Factor	70% of the rated lifetime
Rated Lifetime – L₇₀B₅₀	50,000 hrs
Switching Cycles	≥ 25,000

D. Temperature Operation

Normal operation temperature	-10°C ~ 50°C
Relative Humidity	10% ~ 90%

E. Geometric Data

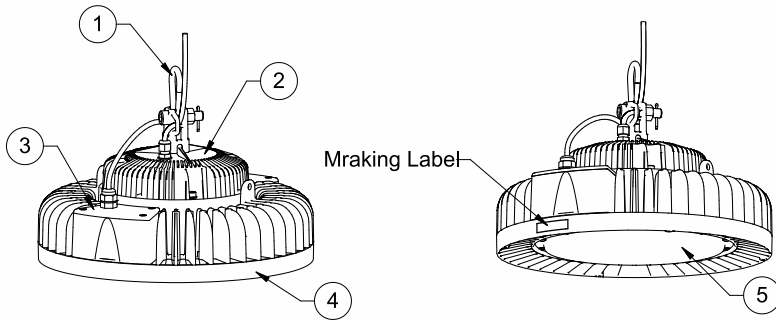
Maximum length	358.0 ± 5 mm	358.0 ± 5 mm	358.0 ± 5 mm
Maximum width	254.0 ± 4 mm	247.0 ± 4 mm	246.2 ± 4 mm
Mass	7400 g	6600 g	6300 g

F. Environmental relevant materials

Mercury (Hg)	Comply with RoHS Directive 2011/65/EU
Lead (Pb)	
Cadmium(Cd)	
Hexavalent Chromium(Cr6+)	
Polybrominated Biphenyls(PBBs)	
Polybrominated Diphenyl Ethers(PBDEs)	

2. Outline Drawing

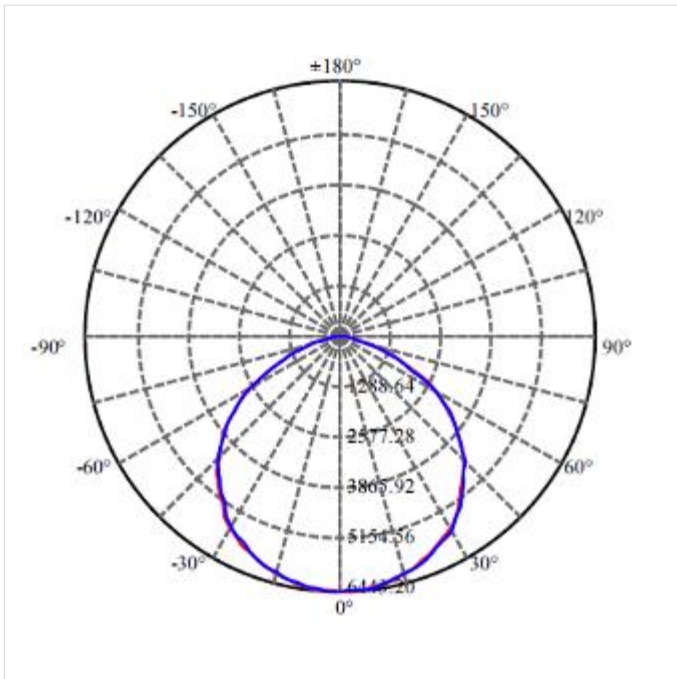
Unit : mm



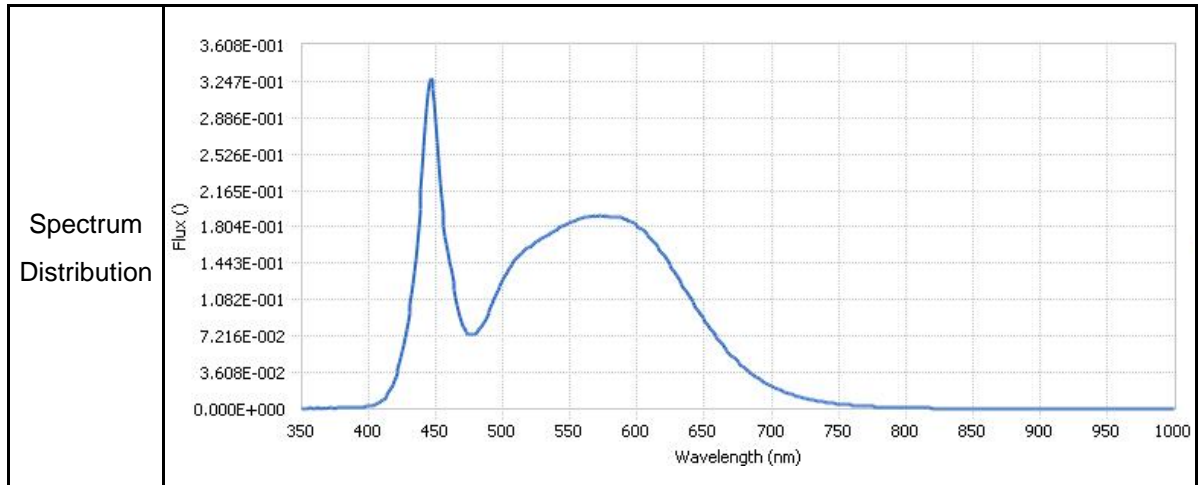
Material Information

1. Hook:	Stainless
2. Driver case:	Aluminum
3. Cover:	Plastic
4. Heat sink:	Aluminum
5. Lens:	Plastic

3. Light Distribution Curve



4. Spectrum Distribution



5. Warnings

Before replacing, turn off power and let lamp cool to avoid electrical shock or burn.

6. Cautions

Only to apply in dry or damp locations and most of open fixtures with lamp-holders that offer sufficient space (10 mm free air space). Not intended for use with emergency light fixtures or exit lights.

7. Notes

All characteristics are estimated at room temperature (25°C), free air burning, base up burning position and at rated voltage. In view of the complex manufacturing process for light above for the technical LED parameters are merely statistical values that do not necessarily correspond to the actual technic individual products may vary from the typical values.

8. Logistic information

Model	High Bay 5000K Dim 110D-200W	High Bay 5000K Dim 110D-150W	High Bay 5000K Dim 110D-100W
P/N	MPS-HC506200-1T0	MPS-HC506150-1T0	MPS-HC506100-1T0
Product Code	00801760825A	00801760829A	00801760833A
Pieces per pack	N/A		
EAN code on pack	N/A		
Size of pack	N/A		

Weight per pack (G.W)	N/A		
Packs per inner box	N/A		
EAN code on inner box	N/A		
ITF code on inner box	N/A		
Size of inner box	N/A		
Weight per inner box(G.W)	N/A		
Packs per outer box	1		
EAN code on outer box	4712947608251	4712947608299	4712947608336
ITF code on outer box	04712947608251	04712947608299	04712947608336
Size of outer box	480x480x300 mm		
Weight per outer box(G.W)	10.1 kg	9.3 kg	9.0 kg

9. Conformity

2006/95/EC; Low Voltage Directive	EN 62031(LED module) 、 EN 60598-1 & EN 60598-2-1(Luminaires) 、 EN 61347-2-13(LED driver) 、 EN 62471 、 EN 62493(EMF)
2004/108/EC; EMC Directive	EN 55015 、 EN 61000-3-2 、 EN 61000-3-3 EN 61547 (Including IEC 61000-4-X series)
2009/125/EC; ErP Directive	EU No. 1194 、 EU No. 874
2011/65/EU; RoHS Directive	EN 50581 、 EN 62321

10. Business Scheme (Countries)

A. Applicable countries

France, Italy, Belgium, Spain, Morocco, Portugal, Netherlands, Luxembourg, Germany, Turkey, Greece, Austria, Switzerland, Bulgaria, Poland, Hungary, Israel, Sweden, Norway, Ireland, England

Note : The requirement of each country will be reflected to the product specifications, when the products will be shipped to such country.

B. Manufacture

Unity Opto Technology Co., Ltd.

C. Sales channel

B2B flow and B2C

LED High Bay IP67 -5000K Dim 60D

Authorized Licensee for TOSHIBA trademark



1. Specification:

A. General Data

Model	High Bay 5000K Dim 60D-200W	High Bay 5000K Dim 60D-150W	High Bay 5000K Dim 60D-100W
Product Code	00801760826A	00801760830A	00801760834A
P/N	MPS-HC506200-3T0	MPS-HC506150-3T0	MPS-HC506100-3T0
Rated Voltage	100-277 VAC		
Frequency	50~60 Hz		
Rated Wattage	200 W	150 W	100 W
Deviation Tolerance of Rated Wattage	±10 %		
Power Factor (Input 230V, 50Hz)	0.9(typical)		
Start On	<0.5S		
Dimmable	YES		
Beam Angle	60°		
UGR	N/A		
EEL	0.15	0.15	0.15
Energy Class	A+	A+	A+
Safety requirements	CE		
Applicable Environments	IP67 / IK08		
Exchangeable LED Module	NO		

B. Light Data

Color	Cool White		
Color Temperature (CCT)	5000K		
Rated Lumen Output*	20000 lm	15000 lm	10000 lm
Color Rendering Index*	80		
Efficacy*	100 lm/W	100 lm/W	100 lm/W
Color Consistency**	6 Step MacAdam Ellipse (6 SDCM)		

* tolerance +/- 10% ** center point (0.34464, 0.35506)

C. Lifetime

(Supplied Voltage: AC230V; Ambient Temperature: 15°C~40°C)

Lumen Maintenance Factor	70% of the rated lifetime
Rated Lifetime – L₇₀B₅₀	50,000 hrs
Switching Cycles	≥ 25,000

D. Temperature Operation

Normal operation temperature	-10°C ~ 50°C
Relative Humidity	10% ~ 90%

E. Geometric Data

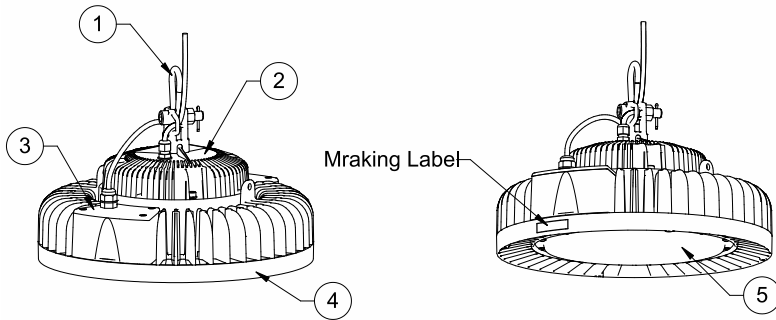
Maximum length	358.0 ± 5 mm	358.0 ± 5 mm	358.0 ± 5 mm
Maximum width	254.0 ± 4 mm	247.0 ± 4 mm	246.2 ± 4 mm
Mass	7400 g	6600 g	6300 g

F. Environmental relevant materials

Mercury (Hg)	Comply with RoHS Directive 2011/65/EU
Lead (Pb)	
Cadmium(Cd)	
Hexavalent Chromium(Cr6+)	
Polybrominated Biphenyls(PBBs)	
Polybrominated Diphenyl Ethers(PBDEs)	

2. Outline Drawing

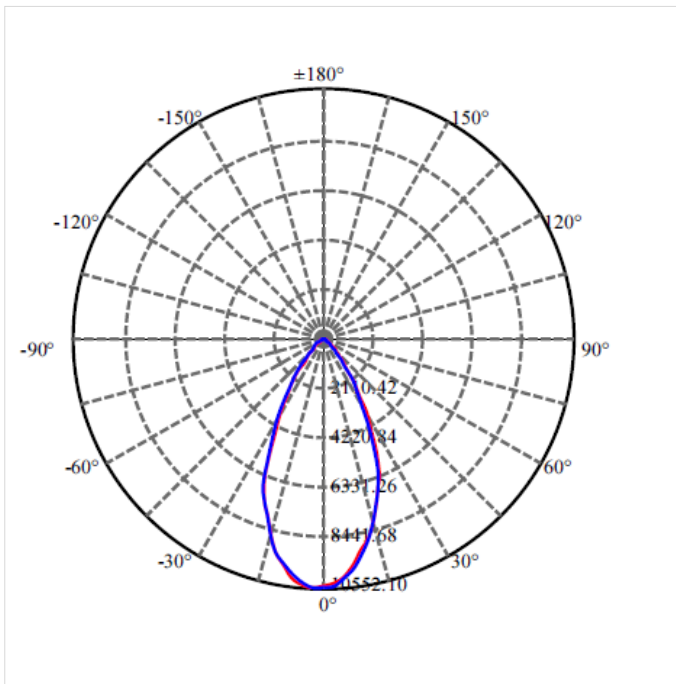
Unit : mm



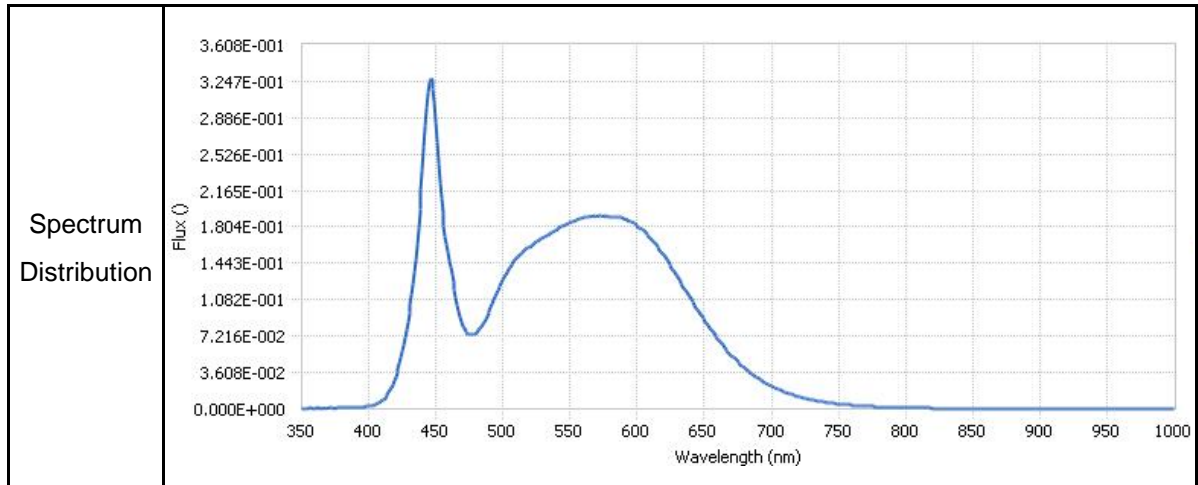
Material Information

- | | |
|-----------------|-----------|
| 1. Hook: | Stainless |
| 2. Driver case: | Aluminum |
| 3. Cover: | Plastic |
| 4. Heat sink: | Aluminum |
| 5. Lens: | Plastic |

3. Light Distribution Curve



4. Spectrum Distribution



5. Warnings

Before replacing, turn off power and let lamp cool to avoid electrical shock or burn.

6. Cautions

Only to apply in dry or damp locations and most of open fixtures with lamp-holders that offer sufficient space (10 mm free air space). Not intended for use with emergency light fixtures or exit lights.

7. Notes

All characteristics are estimated at room temperature (25°C), free air burning, base up burning position and at rated voltage. In view of the complex manufacturing process for light above for the technical LED parameters are merely statistical values that do not necessarily correspond to the actual technic individual products may vary from the typical values.

8. Logistic information

Model	High Bay 5000K Dim 60D-200W	High Bay 5000K Dim 60D-150W	High Bay 5000K Dim 60D-100W
P/N	MPS-HC506200-3T0	MPS-HC506150-3T0	MPS-HC506100-3T0
Product Code	00801760826A	00801760830A	00801760834A
Pieces per pack	N/A		
EAN code on pack	N/A		
Size of pack	N/A		

Weight per pack (G.W)	N/A		
Packs per inner box	N/A		
EAN code on inner box	N/A		
ITF code on inner box	N/A		
Size of inner box	N/A		
Weight per inner box(G.W)	N/A		
Packs per outer box	1		
EAN code on outer box	4712947608268	4712947608305	4712947608343
ITF code on outer box	04712947608268	04712947608305	04712947608343
Size of outer box	480x480x300 mm		
Weight per outer box(G.W)	10.1 kg	9.3 kg	9.0 kg

9. Conformity

2006/95/EC; Low Voltage Directive	EN 62031(LED module) 、 EN 60598-1 & EN 60598-2-1(Luminaires) 、 EN 61347-2-13(LED driver) 、 EN 62471 、 EN 62493(EMF)
2004/108/EC; EMC Directive	EN 55015 、 EN 61000-3-2 、 EN 61000-3-3 EN 61547 (Including IEC 61000-4-X series)
2009/125/EC; ErP Directive	EU No. 1194 、 EU No. 874
2011/65/EU; RoHS Directive	EN 50581 、 EN 62321

10. Business Scheme (Countries)

A. Applicable countries

France, Italy, Belgium, Spain, Morocco, Portugal, Netherlands, Luxembourg, Germany, Turkey, Greece, Austria, Switzerland, Bulgaria, Poland, Hungary, Israel, Sweden, Norway, Ireland, England

Note : The requirement of each country will be reflected to the product specifications, when the products will be shipped to such country.

B. Manufacture

Unity Opto Technology Co., Ltd.

C. Sales channel

B2B flow and B2C

LED High Bay IP67 -5000K Dim 30D

Authorized Licensee for TOSHIBA trademark



1. Specification:

A. General Data

Model	High Bay 5000K Dim 30D-200W	High Bay 5000K Dim 30D-150W	High Bay 5000K Dim 30D-100W
Product Code	00801760827A	00801760831A	00801760835A
P/N	MPS-HC506200-2T0	MPS-HC506150-2T0	MPS-HC506100-2T0
Rated Voltage	100-277 VAC		
Frequency	50~60 Hz		
Rated Wattage	200 W	150 W	100 W
Deviation Tolerance of Rated Wattage	±10 %		
Power Factor (Input 230V, 50Hz)	0.9(typical)		
Start On	<0.5S		
Dimmable	YES		
Beam Angle	30°		
UGR	N/A		
EEL	0.15	0.15	0.15
Energy Class	A+	A+	A+
Safety requirements	CE		
Applicable Environments	IP67 / IK08		
Exchangeable LED Module	NO		

B. Light Data

Color	Cool White		
Color Temperature (CCT)	5000K		
Rated Lumen Output*	20000 lm	15000 lm	10000 lm
Color Rendering Index*	80		
Efficacy*	100 lm/W	100 lm/W	100 lm/W
Color Consistency**	6 Step MacAdam Ellipse (6 SDCM)		

* tolerance +/- 10% ** center point (0.34464, 0.35506)

C. Lifetime

(Supplied Voltage: AC230V; Ambient Temperature: 15°C~40°C)

Lumen Maintenance Factor	70% of the rated lifetime
Rated Lifetime – L₇₀B₅₀	50,000 hrs
Switching Cycles	≥ 25,000

D. Temperature Operation

Normal operation temperature	-10°C ~ 50°C
Relative Humidity	10% ~ 90%

E. Geometric Data

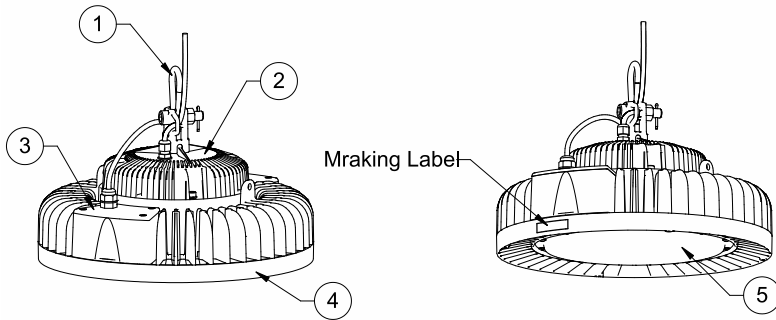
Maximum length	358.0 ± 5 mm	358.0 ± 5 mm	358.0 ± 5 mm
Maximum width	254.0 ± 4 mm	247.0 ± 4 mm	246.2 ± 4 mm
Mass	7400 g	6600 g	6300 g

F. Environmental relevant materials

Mercury (Hg)	Comply with RoHS Directive 2011/65/EU
Lead (Pb)	
Cadmium(Cd)	
Hexavalent Chromium(Cr6+)	
Polybrominated Biphenyls(PBBs)	
Polybrominated Diphenyl Ethers(PBDEs)	

2. Outline Drawing

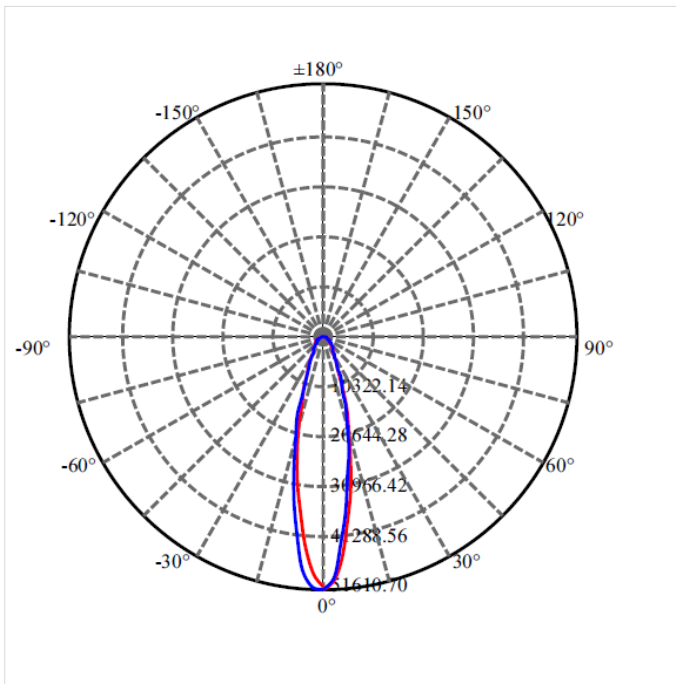
Unit : mm



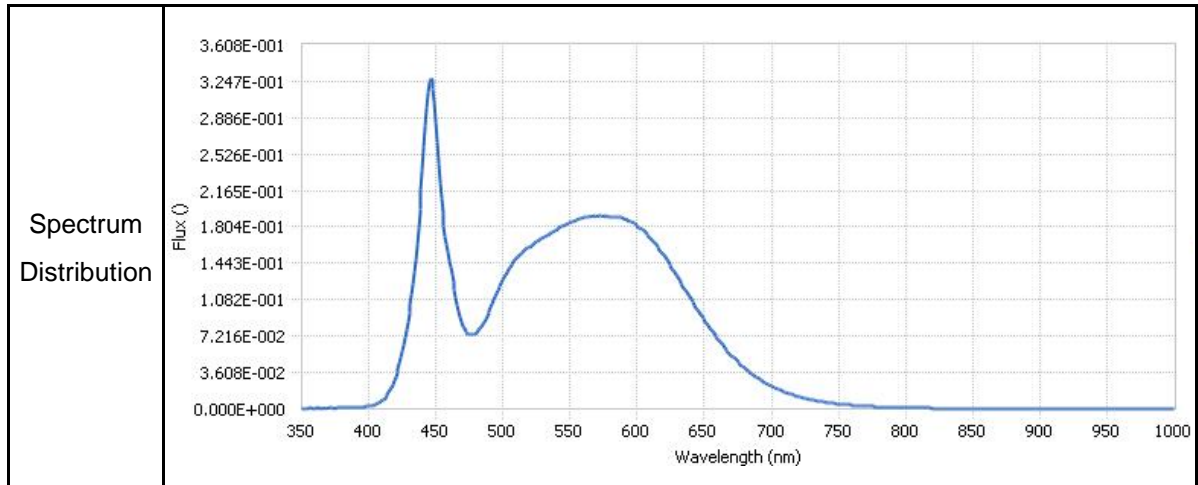
Material Information

- | | |
|-----------------|-----------|
| 1. Hook: | Stainless |
| 2. Driver case: | Aluminum |
| 3. Cover: | Plastic |
| 4. Heat sink: | Aluminum |
| 5. Lens: | Plastic |

3. Light Distribution Curve



4. Spectrum Distribution



5. Warnings

Before replacing, turn off power and let lamp cool to avoid electrical shock or burn.

6. Cautions

Only to apply in dry or damp locations and most of open fixtures with lamp-holders that offer sufficient space (10 mm free air space). Not intended for use with emergency light fixtures or exit lights.

7. Notes

All characteristics are estimated at room temperature (25°C), free air burning, base up burning position and at rated voltage. In view of the complex manufacturing process for light above for the technical LED parameters are merely statistical values that do not necessarily correspond to the actual technic individual products may vary from the typical values.

8. Logistic information

Model	High Bay 5000K Dim 30D-200W	High Bay 5000K Dim 30D-150W	High Bay 5000K Dim 30D-100W
P/N	MPS-HC506200-2T0	MPS-HC506150-2T0	MPS-HC506100-2T0
Product Code	00801760827A	00801760831A	00801760835A
Pieces per pack	N/A		
EAN code on pack	N/A		
Size of pack	N/A		

Weight per pack (G.W)	N/A		
Packs per inner box	N/A		
EAN code on inner box	N/A		
ITF code on inner box	N/A		
Size of inner box	N/A		
Weight per inner box(G.W)	N/A		
Packs per outer box	1		
EAN code on outer box	4712947608275	4712947608312	4712947608350
ITF code on outer box	04712947608275	04712947608312	04712947608350
Size of outer box	480x480x300 mm		
Weight per outer box(G.W)	10.1 kg	9.3 kg	9.0 kg

9. Conformity

2006/95/EC; Low Voltage Directive	EN 62031(LED module) 、 EN 60598-1 & EN 60598-2-1(Luminaires) 、 EN 61347-2-13(LED driver) 、 EN 62471 、 EN 62493(EMF)
2004/108/EC; EMC Directive	EN 55015 、 EN 61000-3-2 、 EN 61000-3-3 EN 61547 (Including IEC 61000-4-X series)
2009/125/EC; ErP Directive	EU No. 1194 、 EU No. 874
2011/65/EU; RoHS Directive	EN 50581 、 EN 62321

10. Business Scheme (Countries)

A. Applicable countries

France, Italy, Belgium, Spain, Morocco, Portugal, Netherlands, Luxembourg, Germany, Turkey, Greece, Austria, Switzerland, Bulgaria, Poland, Hungary, Israel, Sweden, Norway, Ireland, England

Note : The requirement of each country will be reflected to the product specifications, when the products will be shipped to such country.

B. Manufacture

Unity Opto Technology Co., Ltd.

C. Sales channel

B2B flow and B2C