

# PDL3 MODUS

LED lighting system



PDL3 MODUS is a universal 1-for-1 upgrade of existing CMH and HID downlights, featuring application-based high (200 W), medium (150 W), and low (75 W) driver solutions that make it the ideal luminaire replacement for petroleum canopies, parking structures/surface mount, and walk-in coolers.

## Features

Slim, lightweight, 25 mm (1") surface mounting fixture is virtually maintenance free	Saves cost of service maintenance contracts and lowers total cost of ownership dramatically
Modular power supplies are application specific to include all parts needed for installation	Designed for fast, one person installation, without need for site surveys
IP68 fixture is sealed to keep out bugs, dust, and water	Fixtures can be pressure washed and easily maintained
Power Module allows each driver solution three lumen settings without hardware replacement	Installers and end users can adjust the lumen settings on-site for the best lighting layout
Tempered glass diffuser with textured finish	Textured lens conceals LEDs when not in use for a smooth, clean appearance
Aluminum die cast heat extraction system allows use in temperatures up to 60° C	Fixture runs cooler at higher outputs, extending life of LEDs
Efficacy up to 165 lm/W	Uses less energy for faster ROI
Type 5 light distribution	Artifact-free light patterns for perfect illumination in all applications
L <sub>70</sub> life rating is based on the highest brightness setting and the maximum ambient temperature	Industry leading 10-year limited warranty

## Benefits

## Ordering

### Luminaire

Item description	Part number	
PDL3 MODUS	5000 K	701948-SWTWT3-M
	4000 K	701948-4WTWT3-M
PDL3 MODUS High Output	White	701948-SWTWT3-MH
	Bronze	701948-SWTBZ3-MH

### Accessories

Item description	Part number
Mounting Plate, 700 mm	401568-700
Mounting Plate, Bronze, 700 mm	401568-700MH
Shoebox Mounting Plate, 610 mm	401397
Shoebox Mounting Plate (Bronze)	401397-BZ
Blank Plate (De-lamping)	401219
Blank Plate, Bronze (De-lamping)	401219-BZ
Install Template†	401398
EU Waterproof Junction Box	701952-EU

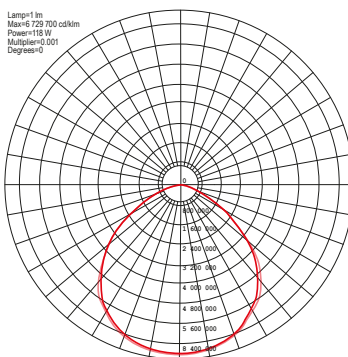
### Dimming Accessories\*

Item description	Part number
Dimming Controller for 75 W Power Supply	601092
Dimming Controller for 150 W Power Supply	601093
Dimming Controller for 200 W Power Supply	601094
Occupancy Sensor	701953

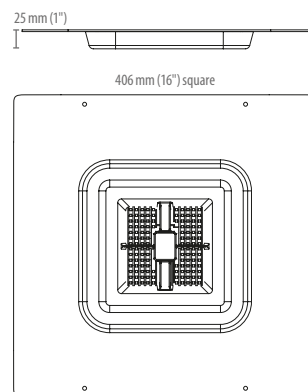
### Power Supply Solution

Description	For use with	Code	Wattage	Part number
<b>MOD1</b> Global Petroleum Canopy	PDL3 MODUS Standard	MOD 1.1	75 W	601071
		MOD 1.2	150 W	601072
	PDL3 MODUS HO	MOD 1.3	200 W	601073
<b>MOD4</b> Global Parking Garage/Surface Mount	PDL3 MODUS Standard	MOD 4.4	75 W	601088
		MOD 4.5	150 W	601089
	PDL3 MODUS HO	MOD 4.6	200 W	601090

## Photometrics



## Dimensions



\* Power supply solution not included.

† Dimming controller replaces the Power Module. Dimming controller box fits inside MOD4 housing. To install dimming controller on MOD 1, a plastic enclosure must be used (P/N 701952-EU).

LEARN MORE

Scan here for more information

# PDL3 MODUS

## Specifications

<b>Electrical</b>	<b>75 W Mod</b>	<b>150 W Mod</b>
<b>System power settings</b> .....	36 W, 51 W, 66 W	88 W, 105 W, 125 W
<b>System efficacy</b> .....	159.6 lm/W (36 W) 156.6 lm/W (51 W) 153.6 lm/W (66 W)	149.6 lm/W (88 W) 146.5 lm/W (105 W) 142.8 lm/W (125 W)
<b>Input voltage</b> .....	100-277 VAC, 50-60 Hz <sup>§</sup>	
<b>Lighting</b>	<b>75 W Mod</b>	<b>150 W Mod</b>
<b>Light output (lm/W)</b> .....	5,746 Lumens (36 W) 7,987 Lumens (51 W) 10,138 Lumens (66 W)	13,165 Lumens (88 W) 15,383 Lumens (105 W) 17,850 Lumens (125 W)
<b>Light distribution</b> .....	Symmetric (Type 5)	
<b>Color (CCT)</b> .....	4000 K, 5000 K	
<b>Color rendering</b> .....	70 CRI	
<b>Performance</b>	<b>75 W Mod</b>	<b>150 W Mod</b>
<b>Operating temperature</b> .....	-40° C to 60° C (36 W) -40° C to 55° C (51 W) -40° C to 50° C (66 W)	-40° C to 60° C (88 W) -40° C to 55° C (105 W) -40° C to 50° C (125 W)

<b>Ingress protection</b> .....	IP68 (highest dust and water protection)
<b>UL location rating</b> .....	Suitable for wet locations
<b>Explosion proof</b> .....	ATEX zone 2 rated DEMKO 18 ATEX 2033x II 3 G ec IIC T4 Gc
<b>Life rating</b> .....	100,000 hours (L <sub>70</sub> ) <sup>†</sup> at maximum operating conditions
<b>Dimming</b> .....	1-10 VDC control on power supply

### Construction

<b>Frame</b> .....	Die cast aluminum
<b>Heat plate</b> .....	Aluminum
<b>Finish</b> .....	White, powder coated for extreme conditions
<b>Lens</b> .....	Tempered glass
<b>Dimensions W × H</b> .....	406 mm (16") square × 25 mm (1")

### Mounting

<b>Light</b> .....	4 self-drilling sheet metal screws
<b>Power supply</b> .....	Based on your application, choose the correct MOD version for your power supply needs

### Documentation

<b>Warranty</b> .....	10-year limited
<b>Agency listings</b> .....	cULus, CE, ENEC, ATEX, RoHS
<b>Files available</b> .....	LM-79, LM-80, IES

# PDL3 MODUS High Output

## Specifications

<b>Electrical</b>	<b>200 W Mod</b>
<b>System power settings</b> .....	123 W, 141 W, 164 W
<b>System efficacy</b> .....	165 lm/W (123 W) 162 lm/W (141 W) 159 lm/W (164 W)
<b>Input voltage</b> .....	100-277 VAC, 50-60 Hz
<b>Lighting</b>	<b>200 W Mod</b>
<b>Light output (lm/W)</b> .....	21,062 Lumens (123 W) 23,828 Lumens (141 W) 27,006 Lumens (164 W)
<b>Light distribution</b> .....	Symmetric (Type 5)
<b>Color (CCT)</b> .....	5000 K
<b>Color rendering</b> .....	70 CRI
<b>Performance</b>	<b>200 W Mod</b>
<b>Operating temperature</b> .....	-40° C to 60° C (123 W) -40° C to 50° C (141 W) -40° C to 40° C (164 W)

<b>Ingress protection</b> .....	IP68 (highest dust and water protection)
<b>UL location rating</b> .....	Suitable for wet locations
<b>Life rating</b> .....	60,000 hours (L <sub>70</sub> ) <sup>†</sup> at maximum operating conditions
<b>Dimming</b> .....	1-10 VDC control on power supply

### Construction

<b>Frame</b> .....	Die cast aluminum
<b>Heat plate</b> .....	Aluminum
<b>Finish</b> .....	White or Bronze, powder coated for extreme conditions
<b>Lens</b> .....	Tempered glass
<b>Dimensions W × H</b> .....	406 mm (16") square × 25 mm (1")

### Mounting

<b>Light</b> .....	4 self-drilling sheet metal screws
<b>Power supply</b> .....	Based on your application, choose the correct MOD version for your power supply needs

### Documentation

<b>Warranty</b> .....	10-year limited
<b>Agency listings</b> .....	cULus, CE, ENEC, RoHS
<b>Files available</b> .....	LM-79, LM-80, IES

\* Lighting data pending third party verification.

† Based on LED component manufacturer data.

