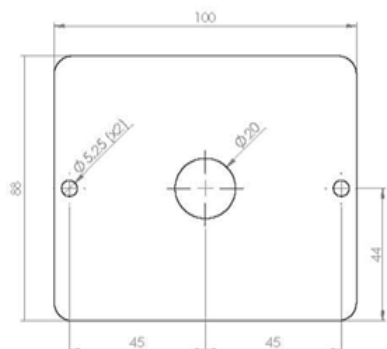
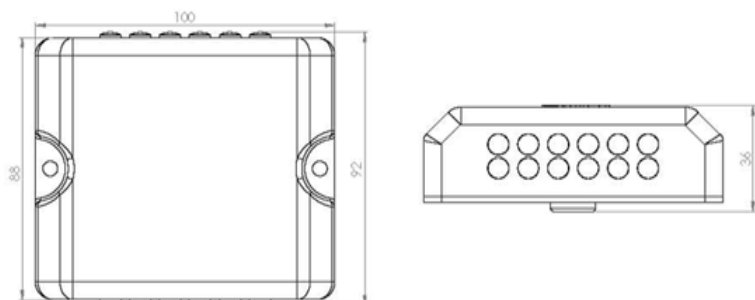


## ML-SR-24-BI & ARROW



- **Dimensiones / Dimensions:** 100 x 88 x 32 mm
- **Material:** Anodized and Lacquered Aluminium RAL 9007.
- **Protection Index:** IP68 and IK 10
- **Led Configuration:**  
  
Unidirectional or Bidirectional.  
Unidirectional or bidirectional with 2 parallel lines on top.  
Unidirectional or bidirectional with arrow on top.
- **LED's Quantity Configuration:**  
12 x (Unidirectional); 24 x Bidirectional); 9 x (Arrow on top) ,10 x (Lines on top)
- **Led Type:** 5mm
- **Led Color:** White, Warm White, Red, Amber, Green, Blue.
- **Viewing angle:** 30° o 45°.
- **Alimentación / Voltage:** 24 VDC – 230VAC
- **Current Consumption:**
  - 24V DC: 40 mA (Unidirectional)
  - 80 mA (Bidirectional)
  - 40 mA (Light on Top)
- 230V AC: 10 mA AC\* (Unidirectional)
- 20 mA AC\* (Bidirectional)
- 10 mA AC\* (Light on Top)
- **Power Cable:**
  - 24V DC: Brown Wire (+) | Blue Wire (-)
  - 230V AC: Brown Wire (Line) Blue Wire (Neutral) Yellow/Green (Earth)
  - \*10mA AC must be added to total power consumption
- **Puntos de fijación / Fixation points:** 2
- **Weight:** 0.550gr

**DIMENSIONS (mm)**



Drilling guide for standard product with one power cable.

- ❶ With a drill, make a hole to pass the cable and two holes for the fixing screws.
- ❷ Pass the stud cable to the hole and connect it to the power cable.
- ❸ Hold in place the stud with two screws M4 x 25 or M4 x 20.
- ❹ Power the stud to check that everything is operational.

